

ADEKA ULTRA SEAL KM-STRING

OCM, Inc.

Sales Information: (847) 955-9700

Technical Information: (800) 999-3959

Contact Local Representative:

PRODUCT DESCRIPTION:

PACKAGING INFORMATION: Available in 4-32mm Diameter

PHYSICAL PROPERTIES:

Hardness: A-33 (JIS K 6253) (ASTM D2240)

Tensile Strength: 6 Mpa (JIS K 6251) (ASTM D412)

Elongation: 800% (JIS K 6251) (ASTM D412)

Change Volume: 170% (In House)

Specific Gravity: 1.18 (JIS K 6350) (ASTM D792)

Vulcanization YES

Hydrophilic Agent Urethane Polymer

*** Property measurements are representative and are not considered as standard values.**

GENERAL DESCRIPTION

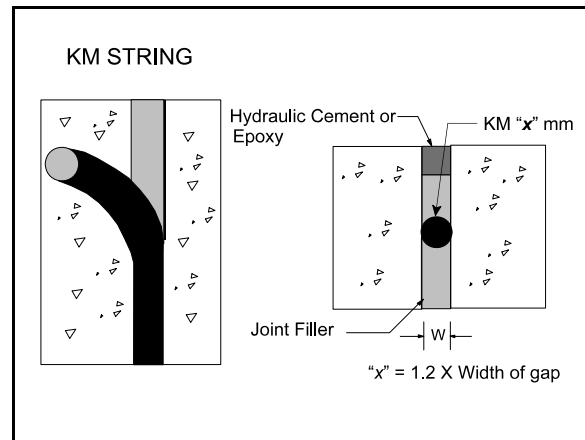
KM String is a chemically modified natural rubber product. A patented process chemically binds a hydrophilic agent to the rubber. This permits the KM String to undergo controlled expansion when in the presence of moisture. This expansion capability provides a "double locking" waterstop. One from rubber's natural resilience and one from the expansion. Any void, within the limits of the product's volume expansion coefficient, will be filled by the expansion of the KM when it is hydrated.

Expansion occurs in all dimensions, diameter and length. Expansion will follow the direction of least resistance. The Volume Expansion Coefficient of 3 times indicates the material will increase 3 times by volume, not 3 times in size. Linear expansion coefficient is approximately 1.45.

KM has excellent durability and resistance to chemicals. It can perform in a wide range of solutions such as salt or cement water. It does not contain any toxic substance or heavy metals and is environmentally safe.

BASIC USE:

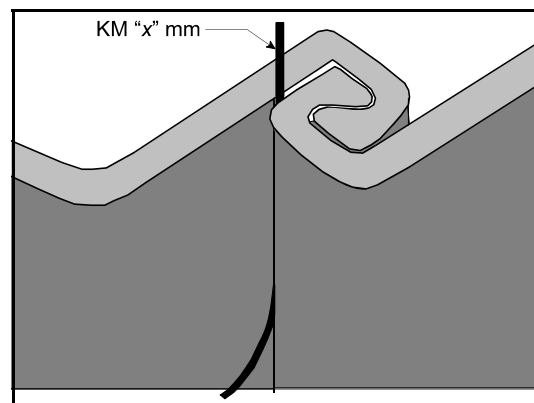
Because KM is available in many diameters, it is suitable for waterstopping existing joints of various sizes. The KM string size is determined by the size of the joint. The KM string selected must have a minimum diameter of 1.2 times the joint width. (See Detail No. 1). The string can be easily stretched and inserted into the joint gap with a backer rod insertion tool or a blunt instrument.



Detail 1

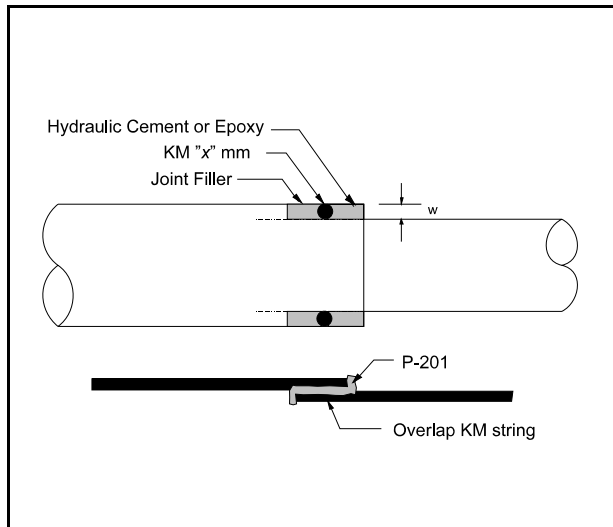
KM is an excellent waterstop for repairing leaks in sheet piles interlocks.

The string size again should be a minimum of 1.2 times the width of the interlock gap. Stretch the string and force into the interlock area. This can be done even if flowing water is present. The natural resilience of the rubber will stop the water and hold the KM in position until expansion has occurred. See detail 2.



Detail 2

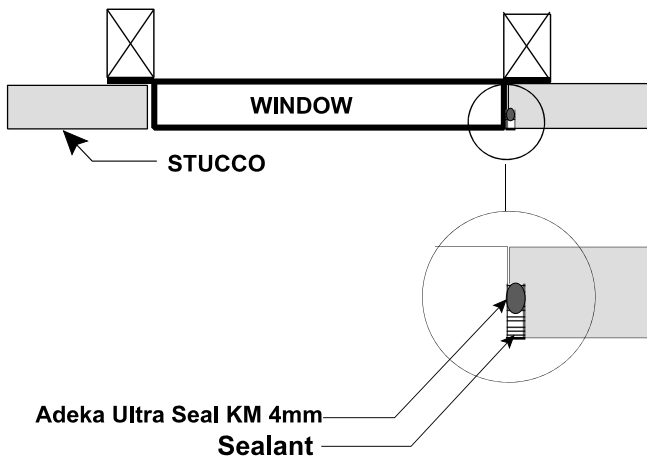
KM string can be used in a variety of applications such as sealing the annular space between two pipes as shown in Detail 3.



Detail 3

Joining two ends of the string can be done by overlapping approximately 2" and applying a bead of P-201 on the overlap area. Note Detail 3.

KM 4mm String can be used to effectively waterproof the joint between a window frame and a stucco exterior (see Detail 4). For more detailed instruction see "Techniques and Comments" newsletter 228. This newsletter is produced by John Bucholtz P.E. Call 408.257.2444 or your local representative for more information.



Detail 4

KM is a versatile waterstop that is easy to install and will remain flexible even when expanded. It will serve as a long lasting positive waterstop.

PACKAGING INFORMATION SELECTED STRING SIZES.

KM 4mm (.15")	165'/case	3.0 lbs
KM 6mm (.23")	165'/case	4.0 lbs
KM 8mm (.31")	99'/case	10.1 lbs
KM 10mm (.39")	82'/case	8.8 lbs
KM 12mm (.47")	82'/case	11.0 lbs
KM 14mm (.55")	66'/case	19.8 lbs
KM 16mm (.62")	49'/case	11.0 lbs
KM 20mm (.79")	33'/case	12.1 lbs
KM 24mm (.95")	33'/case	13.2 lbs

Sizes above 6mm NOT in inventory. Call 800.999.3959 for lead time and price.

* Other sizes available by special order.

KM string has good resistance to a number of chemical contaminants. However, some chemicals in higher concentrations may affect the performance of KM. Consult your Adeka Ultra Seal Representative concerning any unusual chemical contaminants or conditions.

Technical assistance is available through the manufacturer and representatives of Adeka Ultra Seal. Contact your local representative for additional information or call (800) 999-3959.

Visit our website at:

www.adeka.com