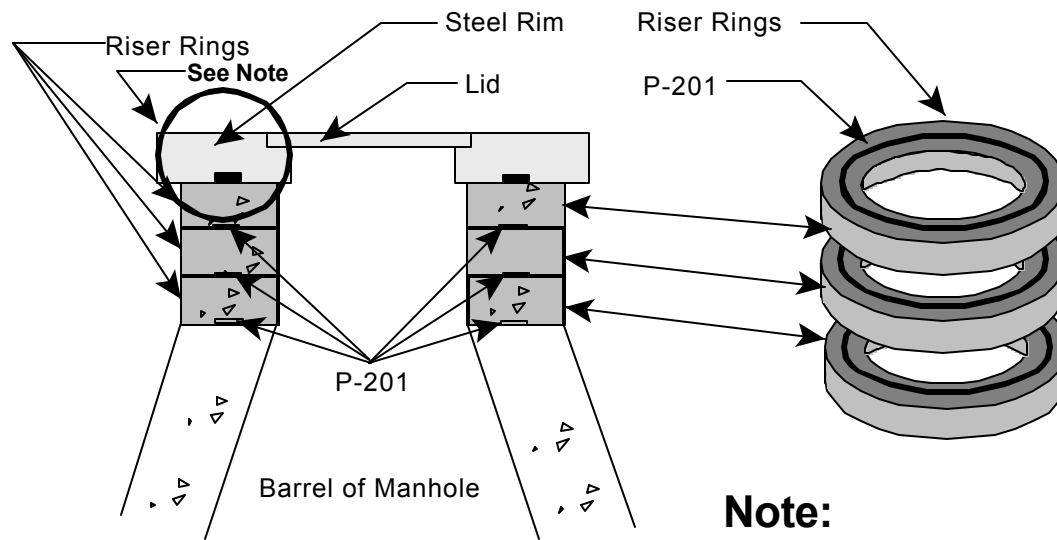


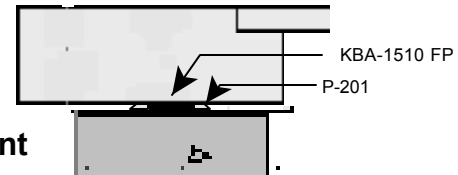
KBA-1510 + P-201 between rim and concrete

1/2" X 3/4" P-201 Bead Between Riser Rings



Cross Section of Manhole with riser rings

Note:



Enlargement of joint