

PREVENT WATER INTRUSION AT WINDOWS

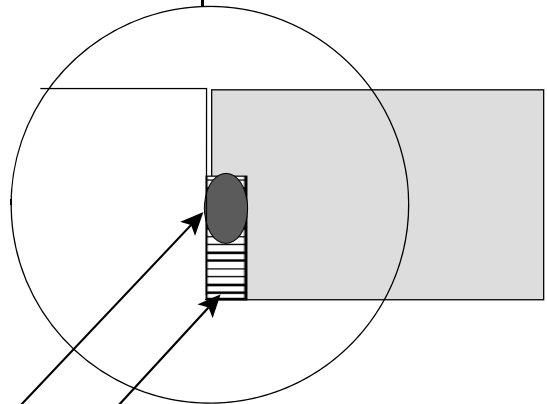
(stucco clad buildings)

save time and money with this method



1. PROBLEM - Wind driven rain can enter here (between window and stucco)
2. SOLUTION - Repair by:
 - a. Small saw kerf ($\frac{1}{8}$ " wide or less x $\frac{1}{2}$ " deep) at juncture of frame & stucco
 - b. Install Adeka Ultra Seal 4mm string
 - c. Seal joint with Dow Corning Silicone long term flexible sealant
3. This procedure developed and recommended by:

John J. Bucholtz, PE
Construction Quality Engineers, Inc.
The Stucco Experts
Telephone (408) 257-2444
Fax (408) 257-6007



Adeka Ultra Seal KM 4mm

Sealant

Detail and procedure as outlined in Mr. Bucholtz's "Techniques and Comments" newsletter number 191

Call Ron Bucholtz (408) 306-3172 for more information or to purchase newsletters. E-mail rbuch75198.aol.com

Call **(800) 999-3959** or your local technical representative for information on Adeka Ultra Seal KM 4mm string or other quality Adeka Ultra Seal hydrophilic waterstops.